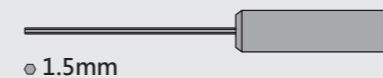


VTG80 CLEAR BODY SET

70100300

準備製作工具 / TOOL RECOMMENDED

六角螺絲起子
Hex wrench



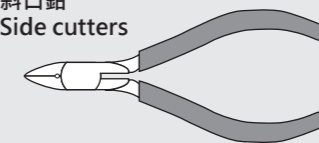
鑷子
Tweezers



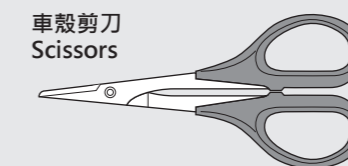
車殼開孔器
Body reamer



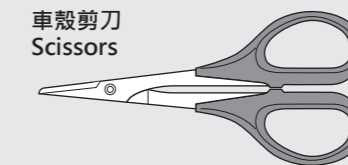
斜口鉗
Side cutters



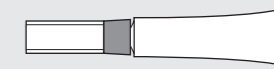
美工刀
Modeling knife



車殼剪刀
Scissors



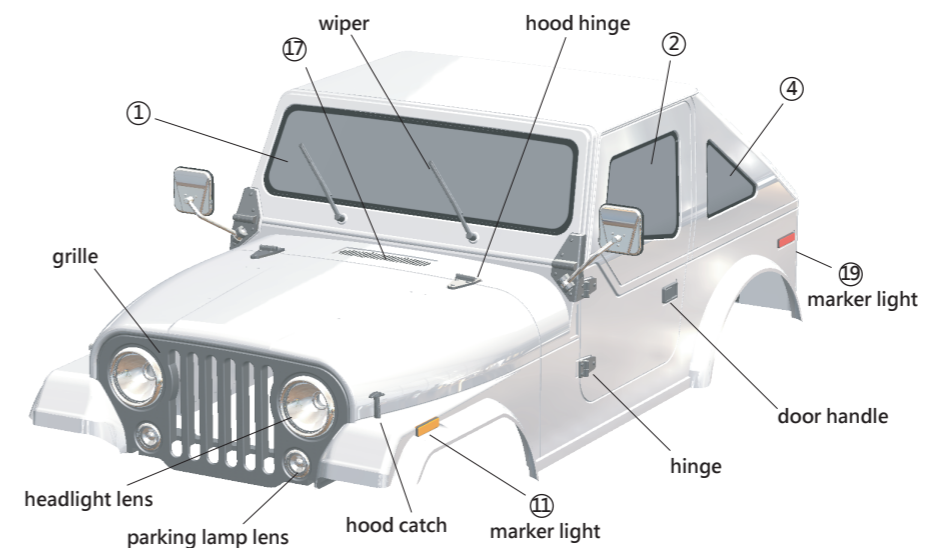
瞬間黏著劑
Instant cement



噴塗顏料
Painting tools

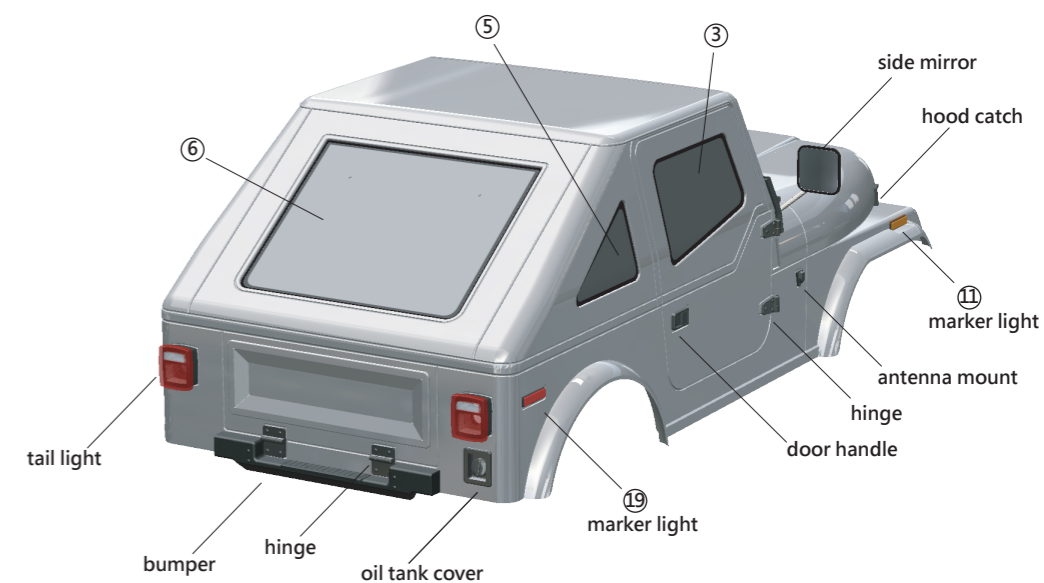


貼紙與部件說明 / STICKER & PARTS INSTRUCTION



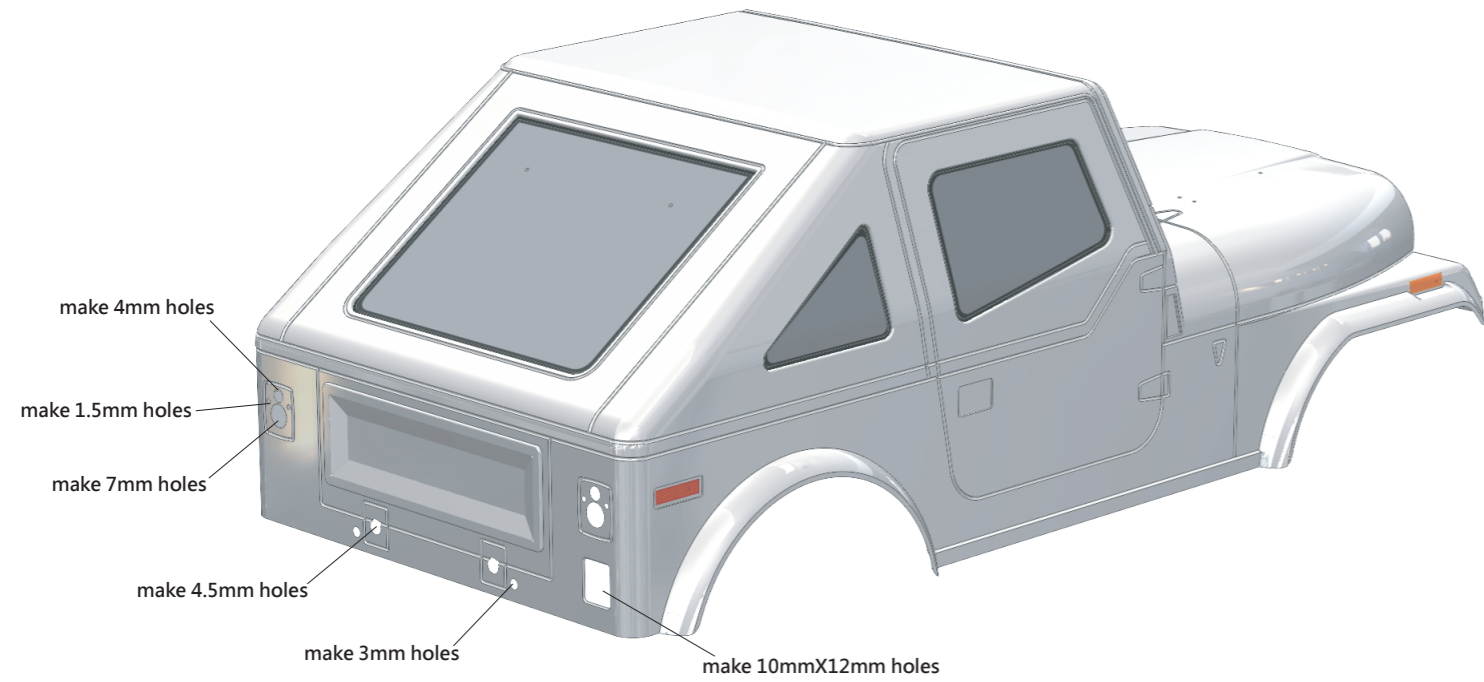
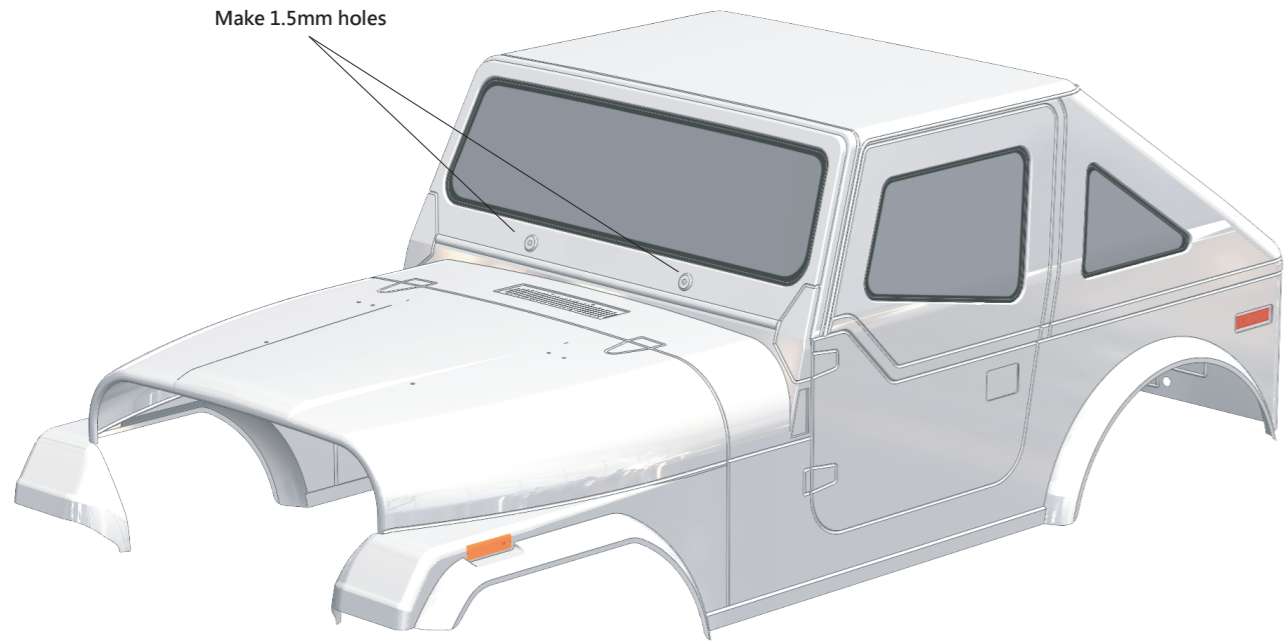
螺絲對照表 Hard ware chart

●	1.4X4 screw	x10pcs
◎	M2X6 screw	x3pcs
◎	M2.5X6 screw	x3pcs
◎	M2.5X10 screw	x3pcs
◎	M3X10 screw	x3pcs
◎	M3X5 screw	x10pcs
◎	M3X10 screw	x5pcs
□	M3 nut	x6pcs
→	PH000 screw driver	x1pcs

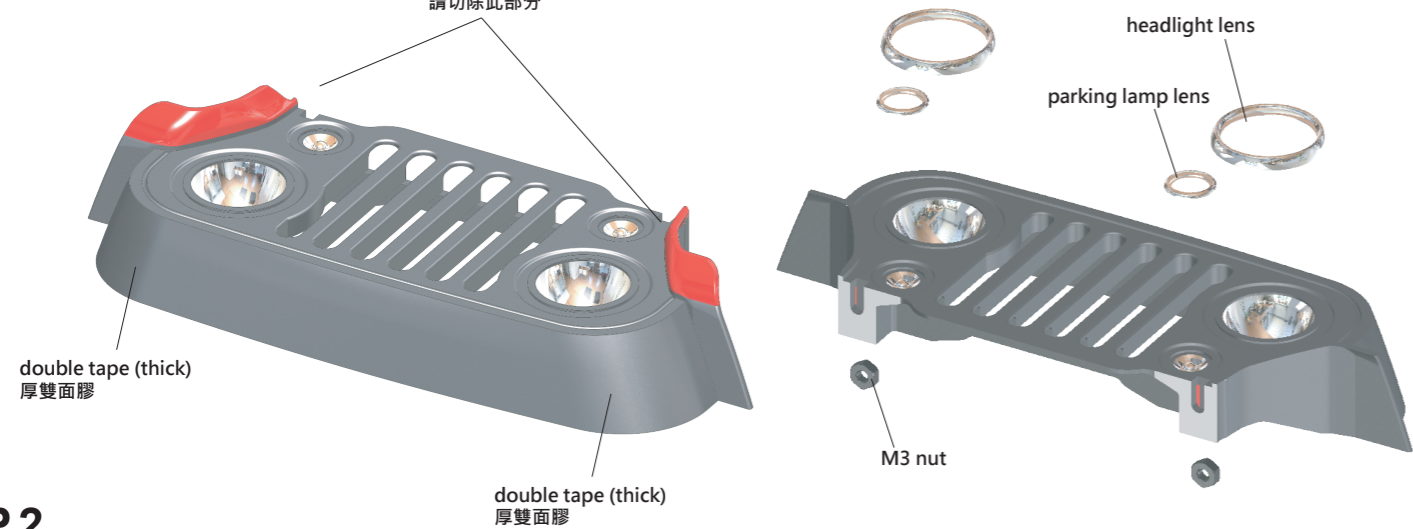


車身孔位開孔
MAKE HOLES FOR PARTS

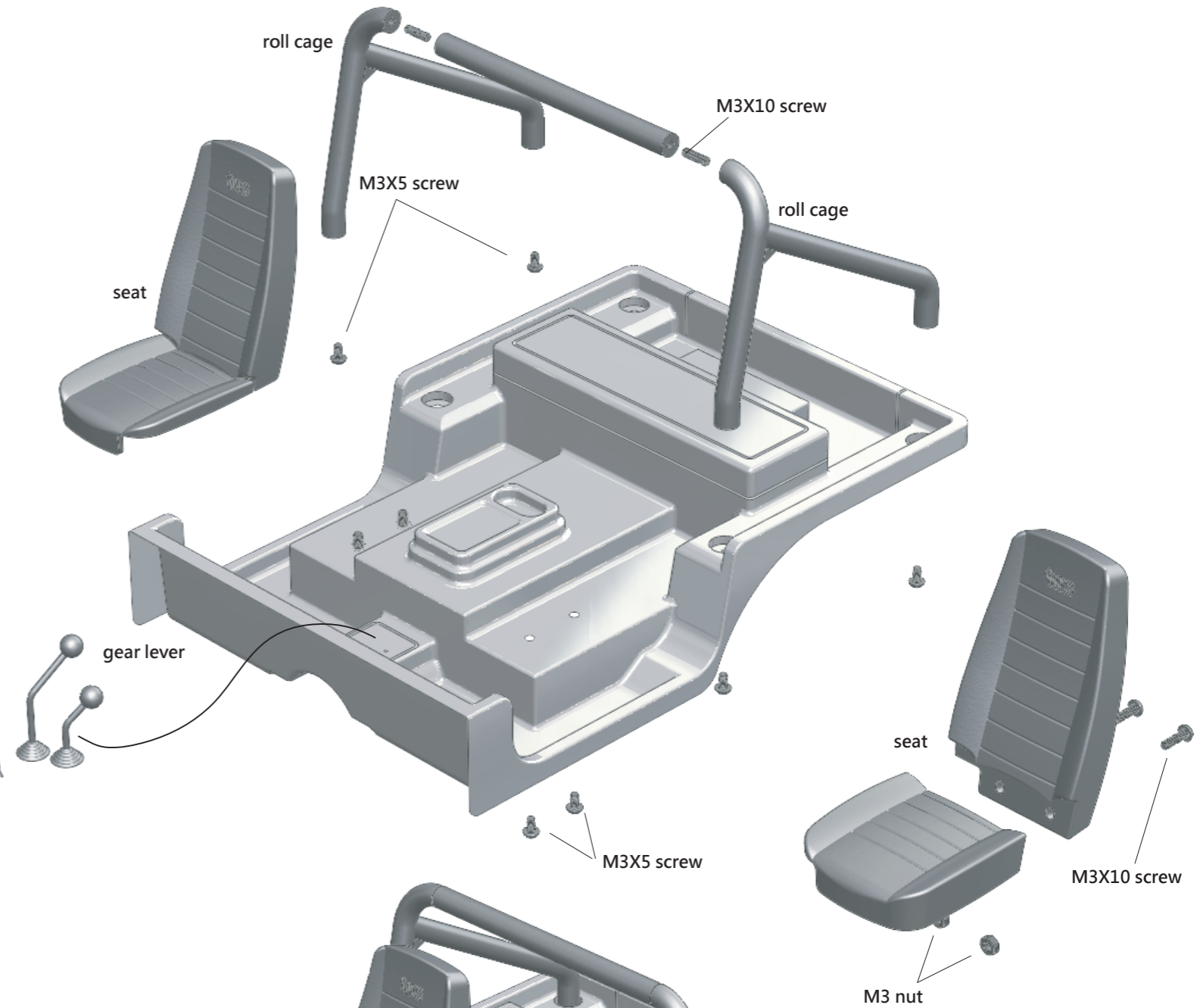
Make 1.5mm holes



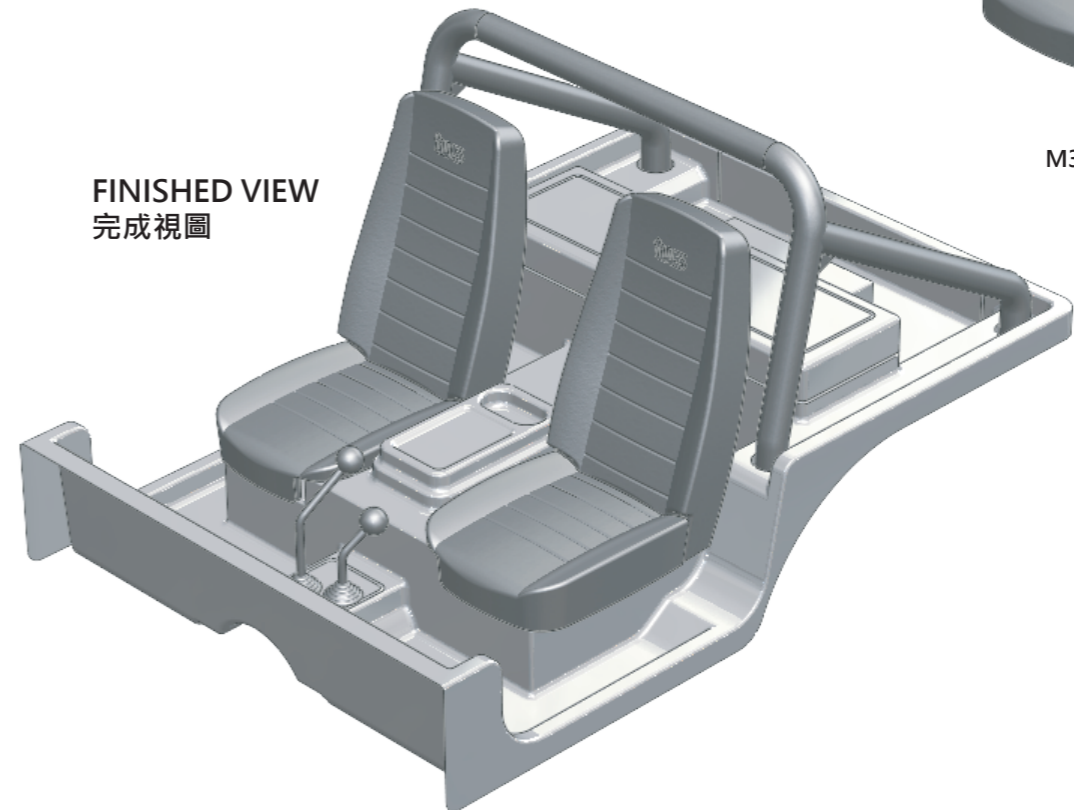
please cut off this part of grille
請切除此部分



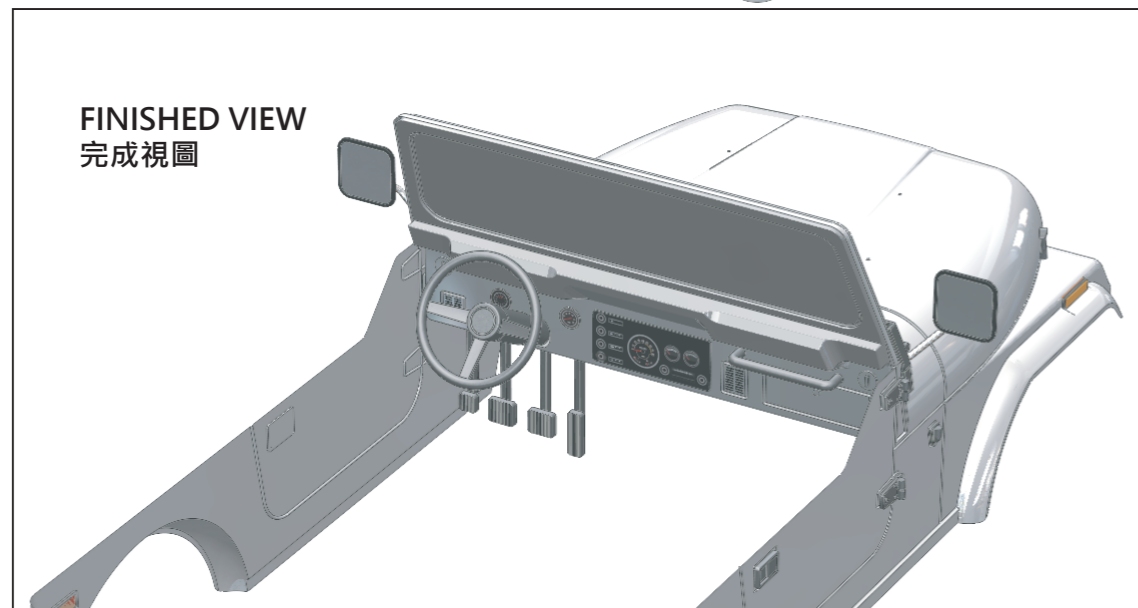
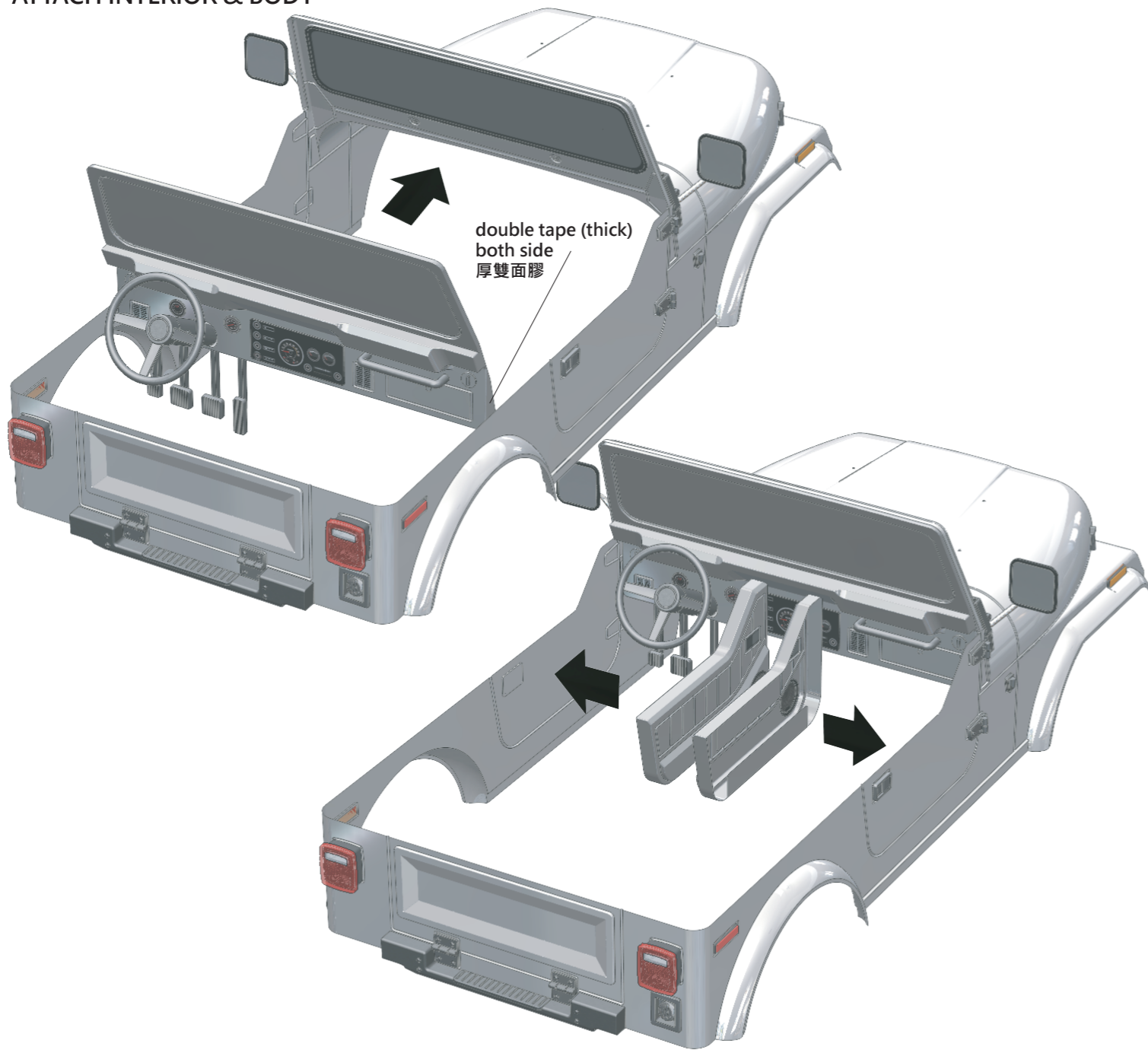
內裝部件開孔組合
INTERIOR PARTS ASSEMBLY



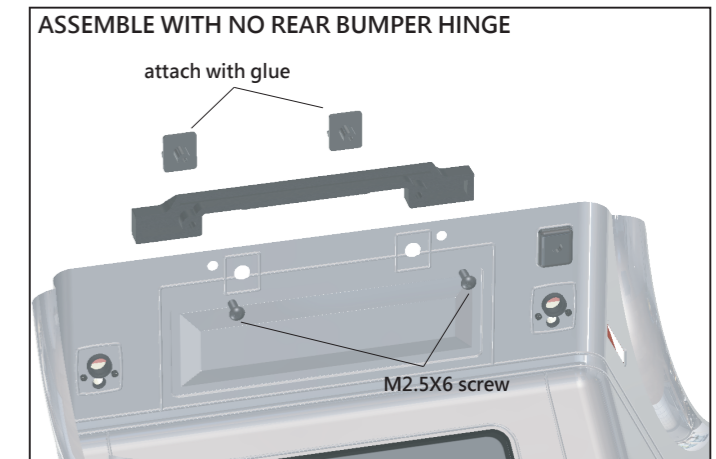
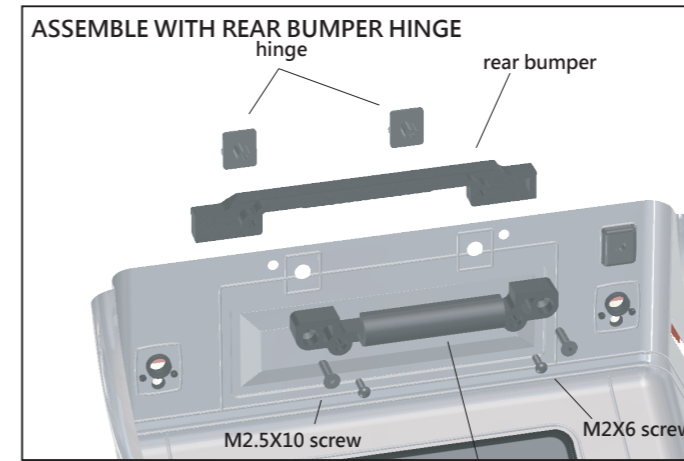
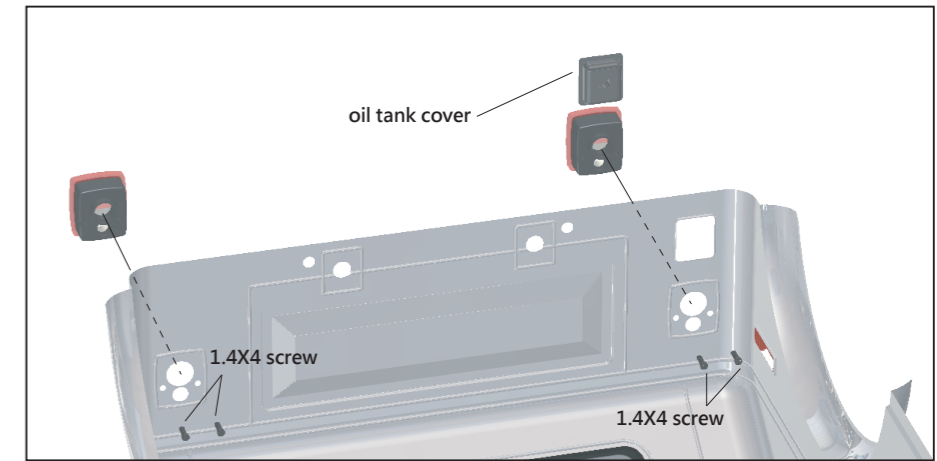
FINISHED VIEW
完成視圖



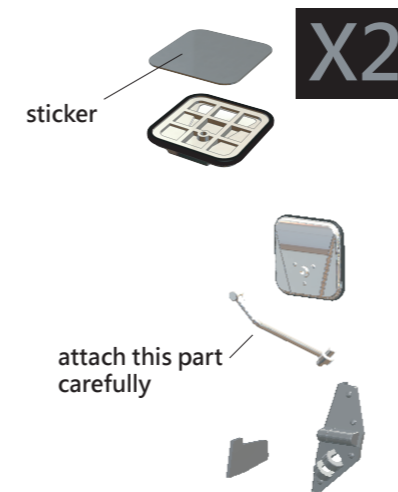
內裝&車身組合
ATTACH INTERIOR & BODY



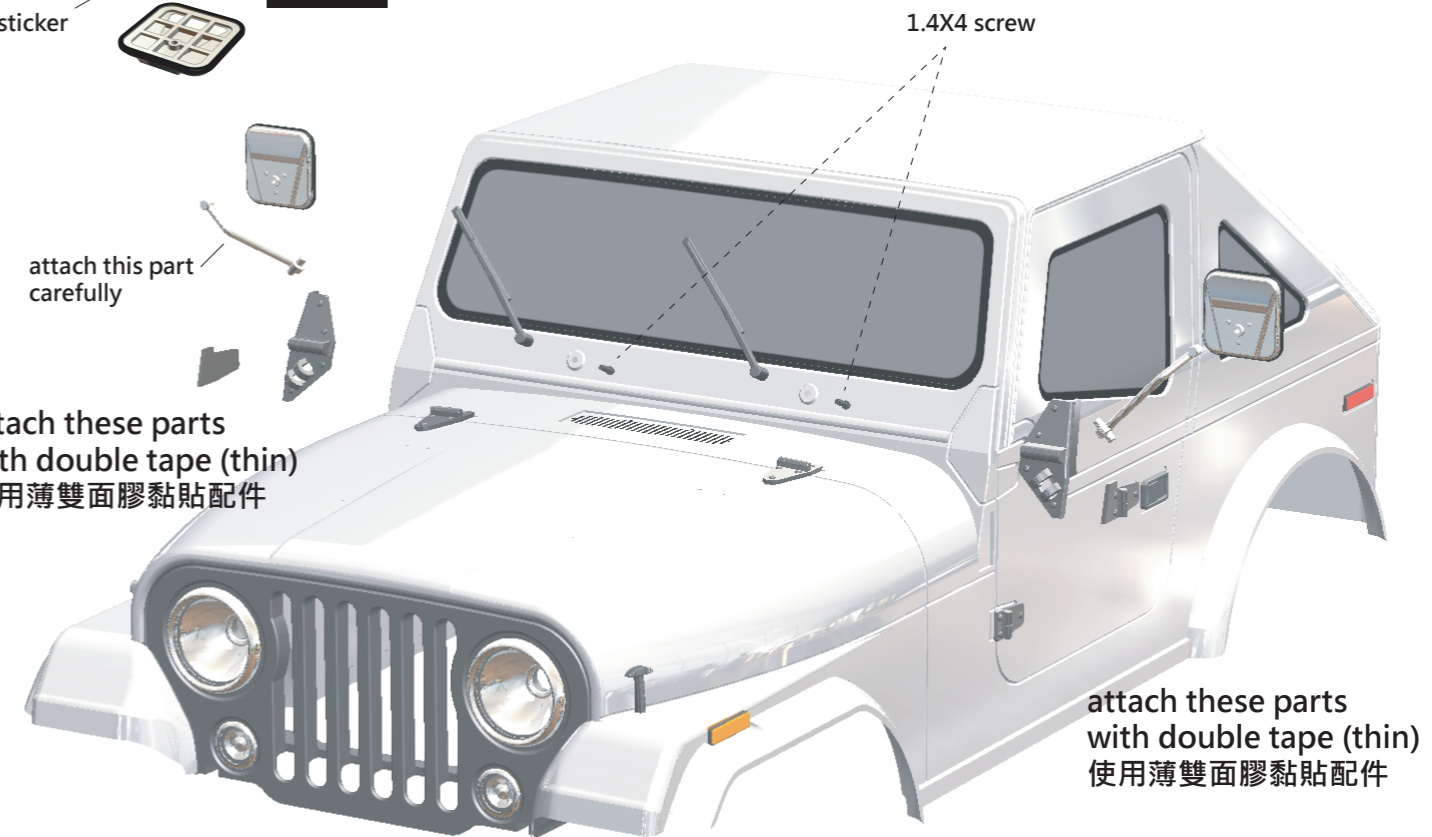
車身組件安裝
ATTACH PARTS TO THE BODY



rear bumper hinge
SOLD SEPARATELY
NOT INCLUDED

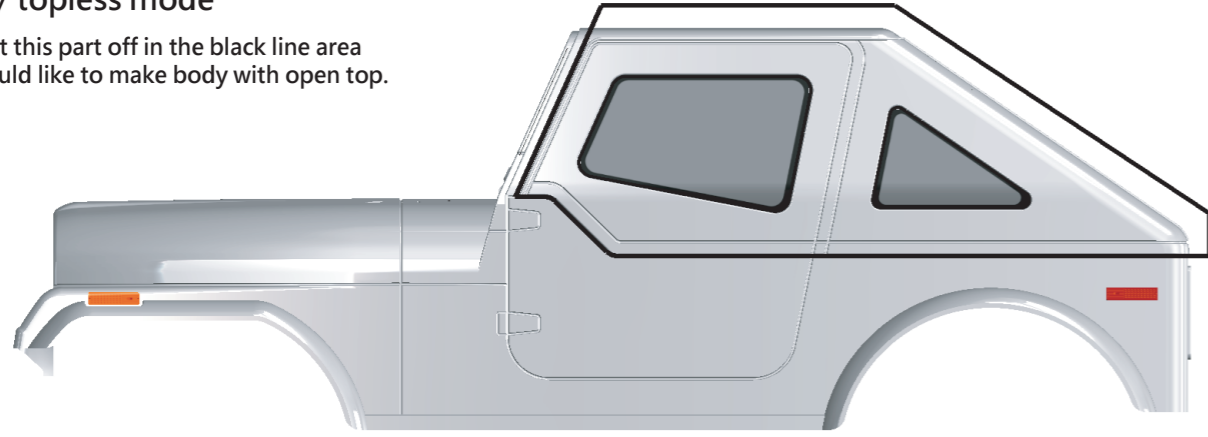


attach these parts
with double tape (thin)
使用薄雙面膠黏貼配件

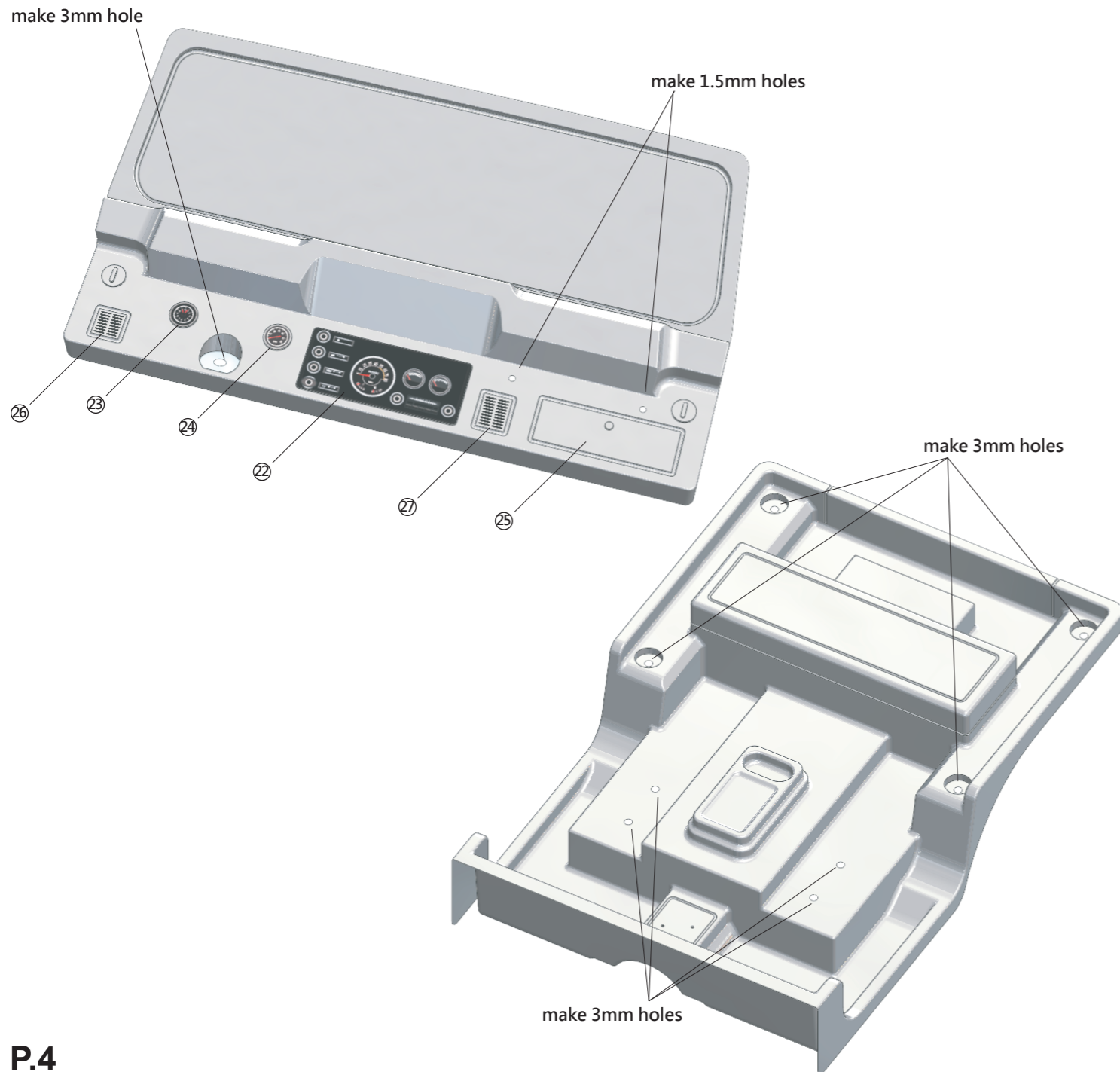


開蓬模式 / topless mode

please cut this part off in the black line area if you would like to make body with open top.



內裝孔位開孔
MAKE HOLES FOR INTERIOR PARTS



內裝飾板&儀表板說明
INTERIOR PANELS INSTRUCTION

